

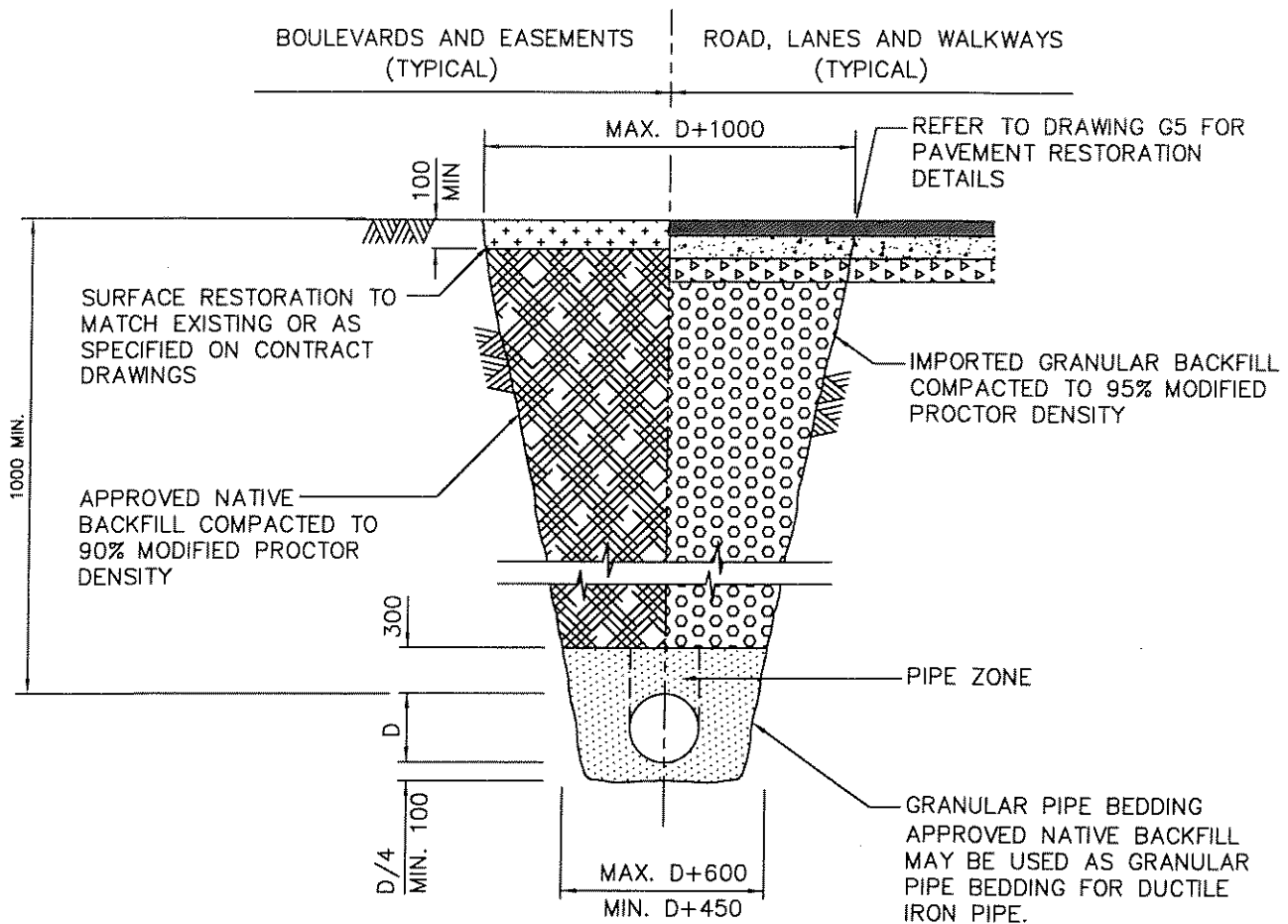
- NOTE:
1. CONCRETE STORM SEWER PIPES TO BE PROVIDED WITH SUPPLIER INSTALLED PVC STUB.
  2. CONNECTIONS TO BE 100 MINIMUM OR LARGER AS SPECIFIED ON CONTRACT DRAWINGS.
  3. RISER TYPE SERVICE TO BE USED ONLY WHEN SERVICE IS MORE THAT 2.4m ABOVE WYE INVERT OR AS DIRECTED BY CONTRACT ADMINISTRATOR.
  4. LOCATION OF SERVICE AND MARKER AS SHOWN ON CONTRACT DRAWINGS.

NOT TO SCALE

STORM SEWER SERVICE CONNECTION

DRAWING NUMBER:

**S8**

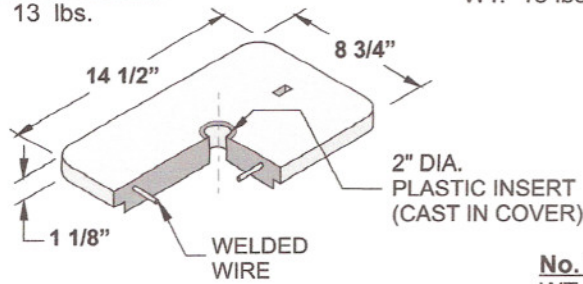


- NOTE: 1. TRENCHING TO COMPLY WITH ALL REQUIREMENTS OF WORKSAFE BC.  
 2. REFER TO CONTRACT DRAWINGS, SECTION 31 23 01 FOR DETAILED SPECIFICATIONS.

NOT TO SCALE

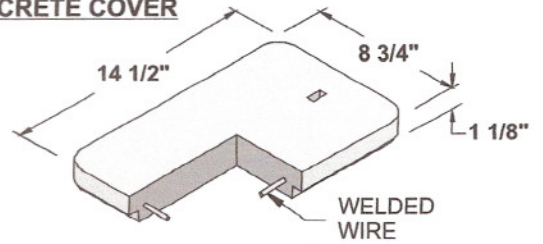
**No. 3 - SP COVER**

WT. 13 lbs.



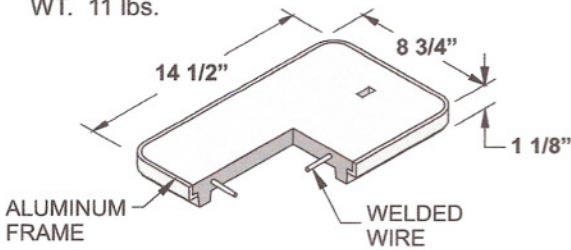
**No. 3 MB - CONCRETE COVER**

WT. 13 lbs.



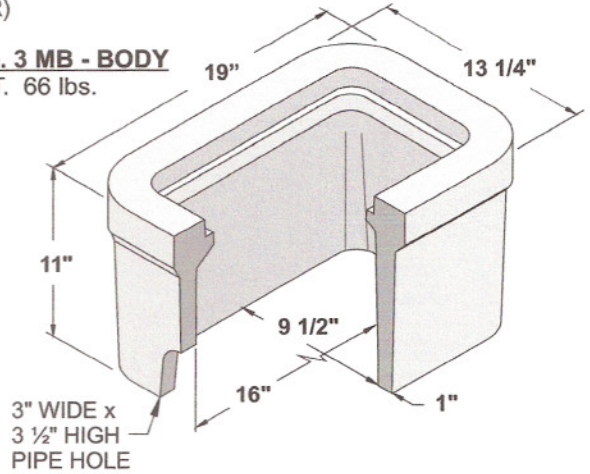
**No. 3 - MA COVER**

WT. 11 lbs.



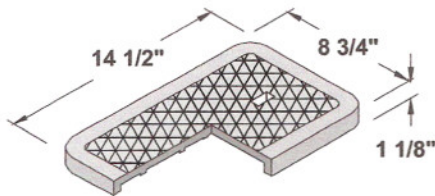
**No. 3 MB - BODY**

WT. 66 lbs.



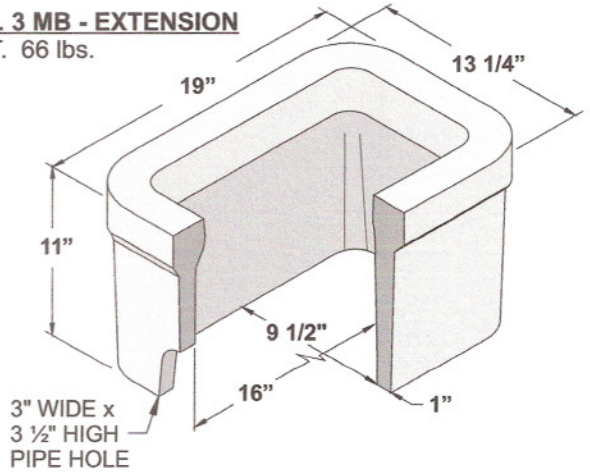
**No. 3 - T CAST IRON COVER**

WT. 16 lbs.



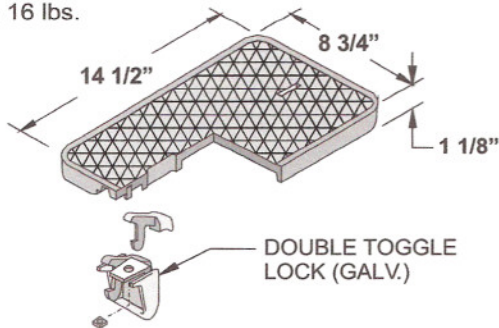
**No. 3 MB - EXTENSION**

WT. 66 lbs.



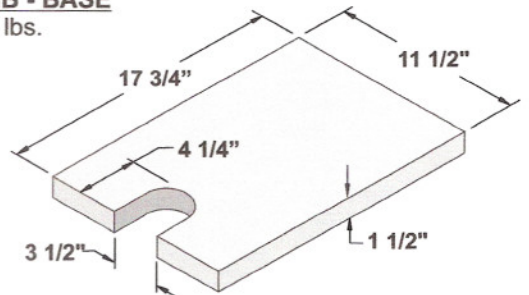
**No. 3 - TL CAST IRON LOCKING COVER**

WT. 16 lbs.



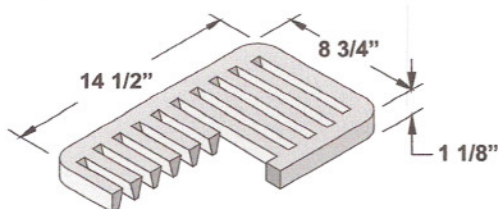
**No. 3 MB - BASE**

WT. 20 lbs.



**No. 3 - TG CAST IRON GRATE**

WT. 19 lbs.



9 1/2" x 16" METER BOX  
(for 3/4" WATER METER)

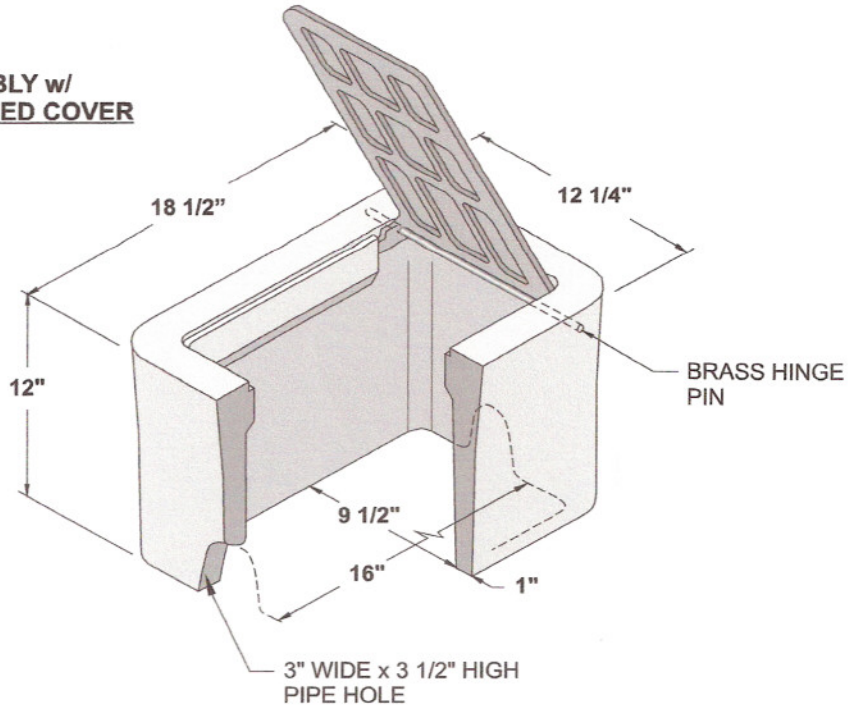
**BROOKS**  
PRODUCTS

**3MB**

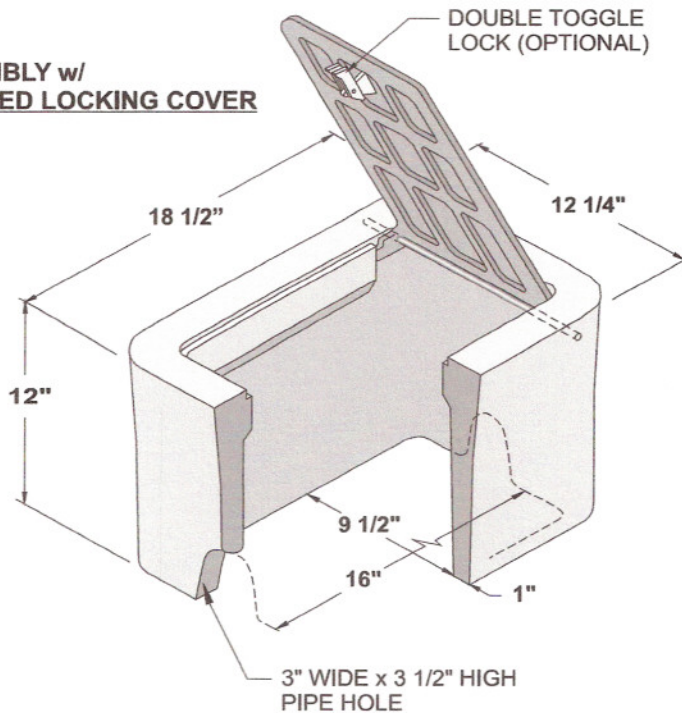
ORG. DWG. DATE  
03-03-95

REV. DWG. DATE  
12-06-00

**No. 3 - H ASSEMBLY w/  
CAST IRON HINGED COVER**  
WT. 68 lbs.



**No. 3 - HL ASSEMBLY w/  
CAST IRON HINGED LOCKING COVER**  
WT. 68 lbs.



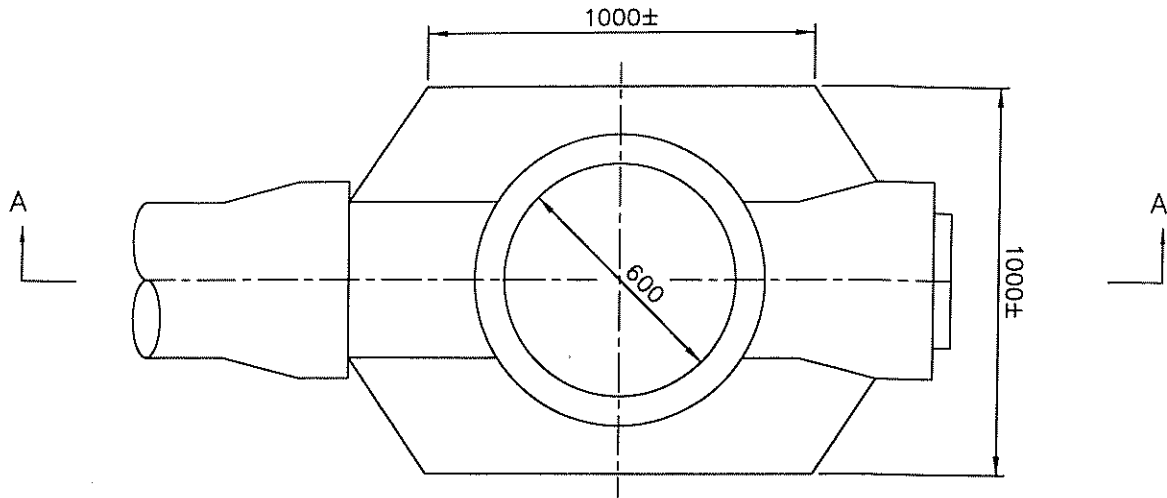
9 1/2" x 16" METER BOX  
(for 3/4" WATER METER)

**BROOKS**  
PRODUCTS

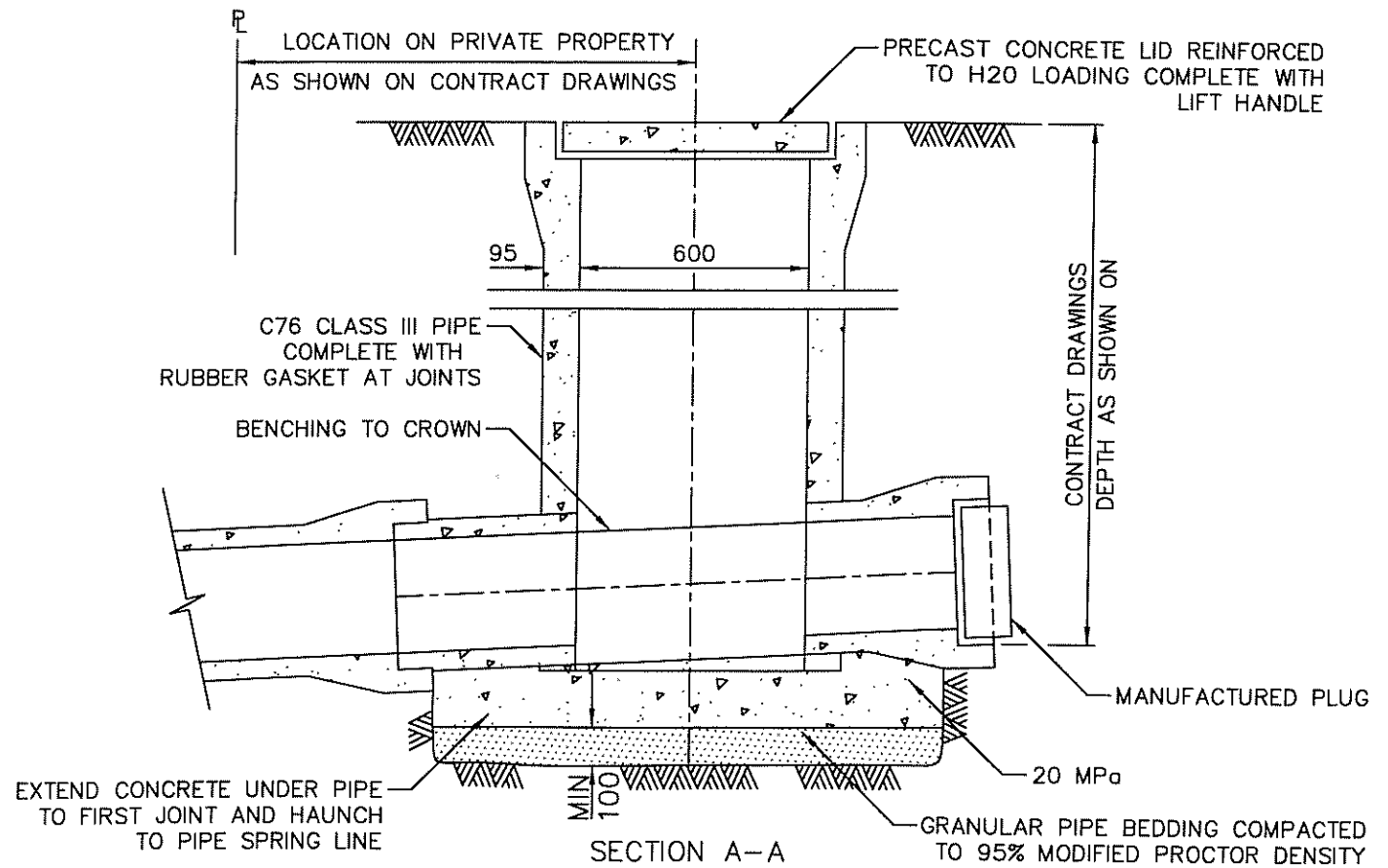
ORG. DWG. DATE  
03-03-95

REV. DWG. DATE  
12-06-00

**3-H MB**



PLAN



SECTION A-A

- NOTE: 1. REFER TO CONTRACT DRAWINGS FOR LOCATION WITH RESPECT TO PROPERTY LINES.  
 2. PRECAST UNIT MAY BE PROVIDED AS ALTERNATIVE WITH CONTRACT ADMINISTRATOR'S PRIOR APPROVAL.  
 3. REFER TO CONTRACT DRAWINGS, SECTION 33 40 01 FOR DETAILED SPECIFICATIONS.  
 NOT TO SCALE

INSPECTION CHAMBER  
 FOR 250 TO 375 STORM SEWER CONNECTION

DRAWING NUMBER:

**S10**